

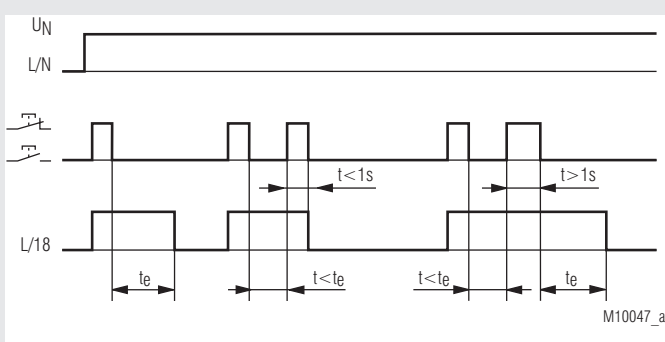
# Installation Technique

**MINITIMER**  
**Energy Saving Time Switch**  
**RK 8810/006**



- According to EN 60 669-1, EN 60 669-2-1
- Setting range: for long times 3 ... 60 min
- For 4-wire circuit L on push button and 3-wire circuit N on push button
- Light can be switched off and retriggered
- Switch for continuous light on unit
- Contact: 16 A
- Width 17.5 mm

## Function Diagram



## Approvals and Markings



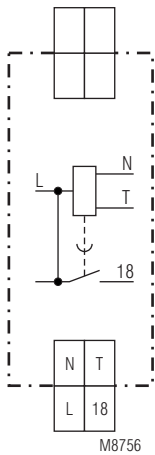
## Application

On and Off switching of lights

## Function

During end of the time progression the light can be switched off or retriggered. For switching off the pushbutton is pressed (< 1 s). If the pushbutton is pressed longer than 1 s, the adjusted time is started again without interruption on the output contact

## Circuit Diagram



M8756  
 RK 8810.41/006

## Notes

Unit and push button have to be connected to the same phase (see connection diagram) The output contact is not volt free.

## Maintenance

Inspection test and maintenance intervals are to be performed annually.

## Technical Data

### Time Circuit

**Time range:** 3 ... 60 min  
**Repeat accuracy:** < 1 % of setting value

### Input

**Nominal voltage  $U_N$ :** AC 230 V  
**Voltage range:** 0.9 ... 1.1  $U_N$   
**Nominal consumption:** approx. 1 W  
**Nominal frequency:** 50 / 60 Hz

### Permitted residual current caused by glow lamps in the push buttons

**Min. pulse duration:** max. 50 glow lamps à 1 mA  
 30 ms

## Connection Terminals

Terminal designation	Signal designation
L, N	Auxiliary voltage AC
T, L or N	Button
L, 18	Contact output

## Technical Data

### Output

<b>Contacts:</b>	1 NO contact, delay	
<b>Contact opening gap:</b>	> 3 mm	
<b>Thermal current <math>I_{th}</math>:</b>	16 A	
<b>Switching capacity with lamp load</b>		
Glow lamp load:	2000 W	
Energy saving time lamp:	14 W (20 lamps)	
Fluorescent lamp load		
Duo switching:	58 W (40 lamps)	
electric ballast unit:	58 W (20 lamps)	
parallel compensation:	140 $\mu$ F	
<b>Short circuit current strength:</b>	> 700 A	
<b>Short circuit strength max. fuse rating:</b>	16 AgL	IEC/EN 60 947-5-1
<b>Mechanical life:</b>	> 1 x 10 <sup>6</sup> switching cycles	

### General Data

<b>Nominal operating mode:</b>	impulse operation / continuous operation	
<b>Temperature range</b>		
Operation:	- 20 ... + 50°C	
Storage:	- 40 ... + 70°C	
<b>Clearance and creepage distances</b>		
rated impulse voltage / pollution degree:	4 kV / 2	IEC 60 664-1
<b>EMC</b>		
Electrostatic discharge (ESD):	8 kV (air)	IEC/EN 61 000-4-2
HF irradiation		
80 MHz ... 1 GHz:	10 V / m	IEC/EN 61 000-4-3
1 GHz ... 2.7 GHz:	10 V / m	IEC/EN 61 000-4-3
Fast transients:	2 kV	IEC/EN 61 000-4-4
Surge voltages		
between		
wires for power supply:	1 kV	IEC/EN 61 000-4-5
between wire and ground:	2 kV	IEC/EN 61 000-4-5
HF wire guided		
0.15 ... 80 MHz:	10 V	IEC/EN 61 000-4-6
Interference suppression:	Limit value class B	EN 55 011
<b>Degree of protection:</b>		
Housing:	IP 40	IEC/EN 60 529
Terminals:	IP 20	IEC/EN 60 529
<b>Enclosure:</b>	Thermoplast with V0-behaviour according to UL subj. 94	
<b>Vibration resistance</b>	Amplitude 0,35 mm	
<b>Climate resistance:</b>	frequenzy 10 ... 55 Hz IEC/EN 60 068-2-6	
<b>Terminal designation:</b>	20 / 050 / 04	IEC/EN 60 068-1
<b>Wire connection:</b>	EN 50 005	
<b>Fixed screw terminals</b>		
Cross section:	0.5 ... 10 mm <sup>2</sup> (AWG 20 - 8) solid or 0.5 ... 6 mm <sup>2</sup> (AWG 20 - 10) stranded wire with and without ferrules	
Stripping length:	10 mm	
<b>Fixing torque:</b>	0.8 Nm	EN 60 999-1
<b>Wire fixing:</b>	Cross-head screw / M3.5 box terminals	
<b>Mounting:</b>	DIN rail IEC/EN 60 715	
<b>Weight:</b>	approx. 80 g	

### Dimensions

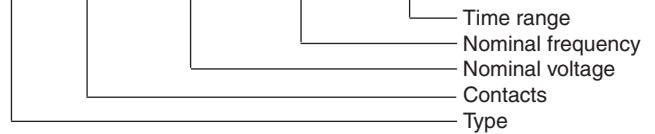
**Width x Height x Depth:** 17.5 x 90 x 66 mm

## Standard Type

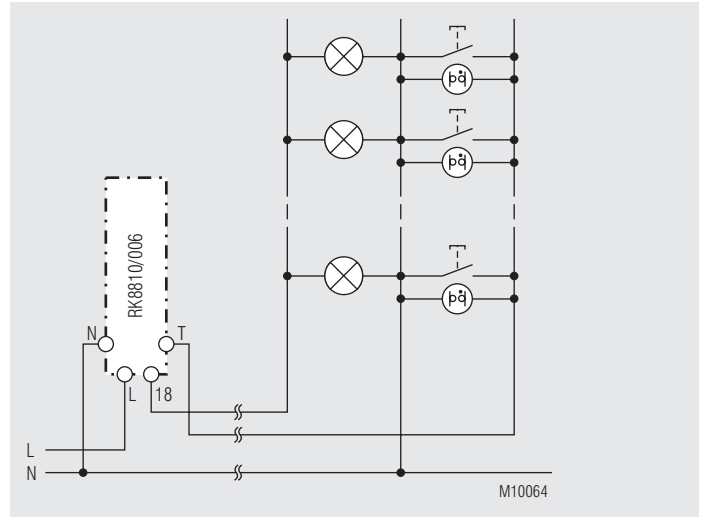
RK 8810.41/006	AC 230 V	50 / 60 Hz	3 ... 60 min
Article number:	0062377		
• Output:	1 NO contact, delay		
• Nominal voltage $U_N$ :	AC 230 V		
• Timer range:	3 ... 60 min		
• Width:	17.5 mm		

## Ordering Example

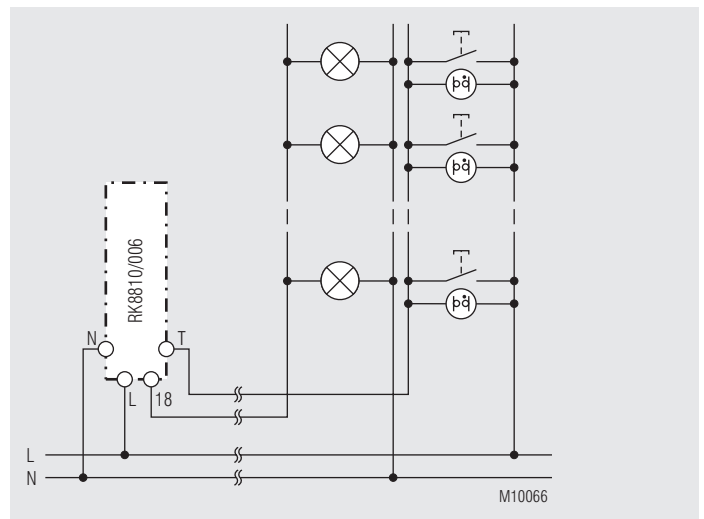
RK 8810 .41 /006 AC 230 V 50 / 60 Hz 3 ... 60 min



## Application Examples



3-wire circuit N on push button



4-wire circuit L on push button